



GF58270-21 **Digital Fire Alarm / Data Filter**



8 WIRE, GF58270-21-8



2 WIRE, GF58270-21

Product Summary

The Genisco Digital Fire Alarm and Data filters are low-pass Electromagnetic Interference and Radio Frequency Interference filters (EMI & RFI) designed to block high-frequency noise that interferes with the operation of sensitive electrical equipment.

These high performance filters are for both DC and AC applications including:

- Digital Fire Alarm
- Data

These standalone filters are built with a gasketed 1" NPSM pipe to penetrate into a shielded environment (shielded rooms, screen rooms, SCIFs, secure environments, etc.), to maintain emission integrity.

Analog vs. Digital Filter Applications

Analog communication filters are generally used when a system is composed of only analog equipment. If any part of the system contains digital equipment, a digital filter may be required, as most digital systems have ground fault equipment that can be tripped by a filter on the circuit. A digital filter with a higher pass-band frequency may prevent false ground fault triggers.

*SUBJECT TO CHANGE WITHOUT NOTICE
03/28/2014*





FUNCTIONAL CHARACTERISTICS

- Voltage Ratings:
 - 24-400 VDC
 - 125 VAC (50/60 Hz)
- Temperature Rating:
 - MIL-PRF-15733
- Current Overload:
 - 140% maximum current rating
- RF Radiation:
 - Greater than 100 dB isolation
- Dielectric With-Standing Voltage:
 - 1,000 VDC (prior to installation of discharge resistors)
- Insulation Resistance:
 - MIL-PRF-15733

SPECIAL FEATURES

Filters

- Factory pre-wired clean output leads provided through the pipe penetration
- Low Pass filter circuits ~ passive components which includes inductors, capacitors, resistors and optional transient suppression devices
- Manufactured and tested per applicable portions of MIL-PRF-15733
- All circuits provided in single enclosure

Enclosure

- Fabricated case of not less than 18 gauge cold rolled steel electro plated or painted Gray (Std. Paint Color)
- Sealed with welded and soldered seams for minimum shielding effectiveness 100 dB, 14 kHz to 18 GHz
- Threaded steel pipe penetration
- Triple knock outs provided on filter case input
- Front cover access to input terminals
- Mounting tab provided for easy wall mount options

Applicable Specifications

- Military Specifications
 - MIL-PRF-15733 General
- Military Test Methods
 - MIL-STD-202 Component Parts
 - MIL-STD-220 Insertion Loss
 - MIL-STD-285 Shielding Effectiveness
- NFPA 70/2011 National Electrical Code Standards

Available Options

- Surge Suppressors
- Alternate pipe penetration locations on the enclosure available by request.
- Custom Paint Colors (Enclosure)
- RF Secure Penetration Accessories

| TYPICAL APPLICATION | IMP L-L (OHMS) | IMP L-G (OHMS) | VOLTAGE MAX. | CURRENT MAX (AMPS) | DC RES. (OHMS) | PASS-BAND (KHz) | INSERTION LOSS | TEST FREQUENCY |
|--|----------------|----------------|--------------------|--------------------|----------------|-----------------|----------------|----------------|
| DIGITAL FIRE ALARM / DATA (56000 BAUD) | 600 | 300 | 400 VDC 125 VAC | 1.0 | <=1 | 0-140 | >=100 dB | 1 MHz-10GHz |

| ORDERING GUIDE | |
|-----------------------|-------------------|
| GF58270-21 | TWO WIRE FILTER |
| GF58270-21-4 | FOUR WIRE FILTER |
| GF58270-21-6 | SIX WIRE FILTER |
| GF58270-21-8 | EIGHT WIRE FILTER |





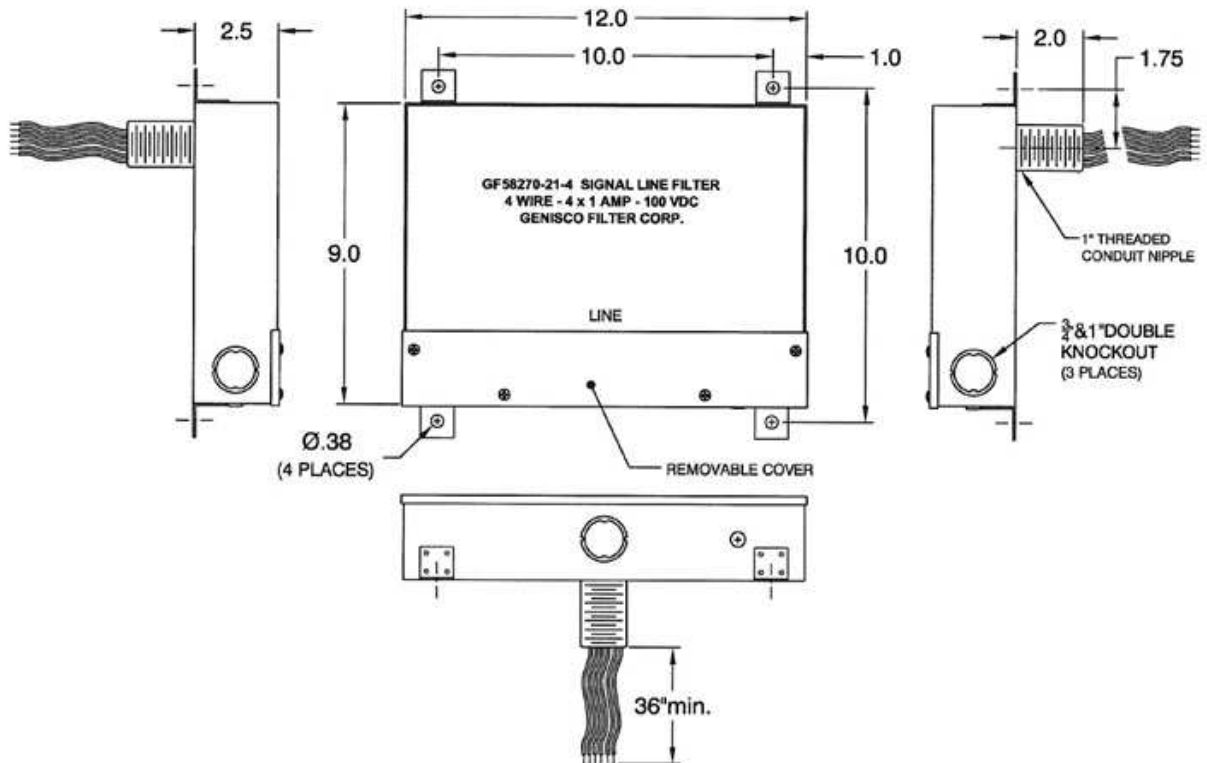
GENISCO FILTER™
always on.™



SUBJECT TO CHANGE

Mechanical Dimensions

GF58270-21-4, 4 WIRE FILTER
GF58270-21-6, 6 WIRE FILTER
GF58270-21-8, 8 WIRE FILTER



SUBJECT TO CHANGE



GENISCO FILTER™
always on.™



4009 Felland Rd. Ste 103. Madison, Wis. 855-436-4726 - info@genisco.com

Mechanical Dimensions

GF58270-21
DIGITAL FIRE ALARM / DATA FILTER
2 WIRE FILTER

